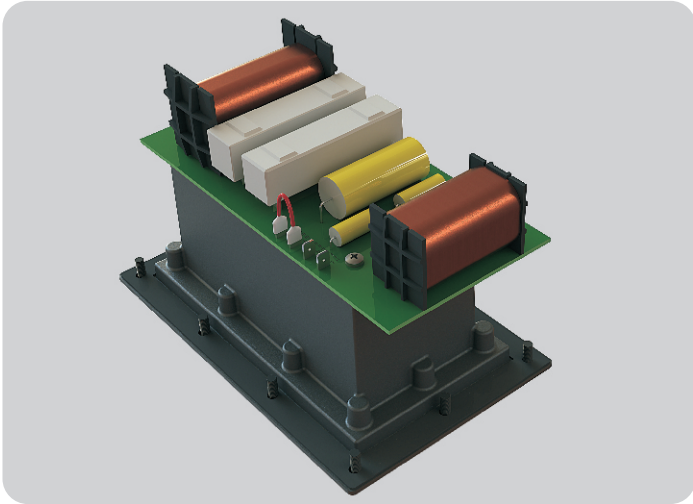


PASSIVE CROSSOVERS IT 12PC



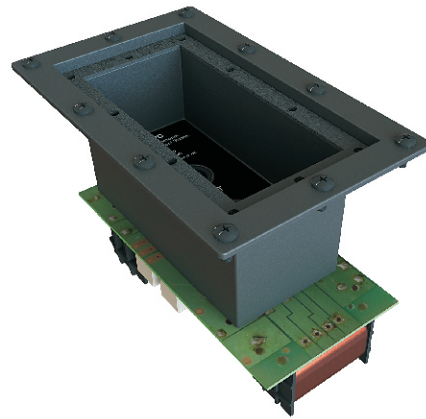
IT 12PC

Specifications

General Information..... 2 way
 Output impedance..... 8 Ohm
 Input..... 2 each 4 pin speakon
 Crossover frequency..... 1.8 KHz
 Slope /Oct..... 12 dB
 Max. Input power 800 Watts continuous
 Dimensions 230 x 140 x 160 mm
 Weight..... 1.6 Kg(3.53 Lbs)

Refer to

IT-12, IT-77N, IT-77F, IT-44, H64, H94, PC ADAPTOR



Mounting Information

